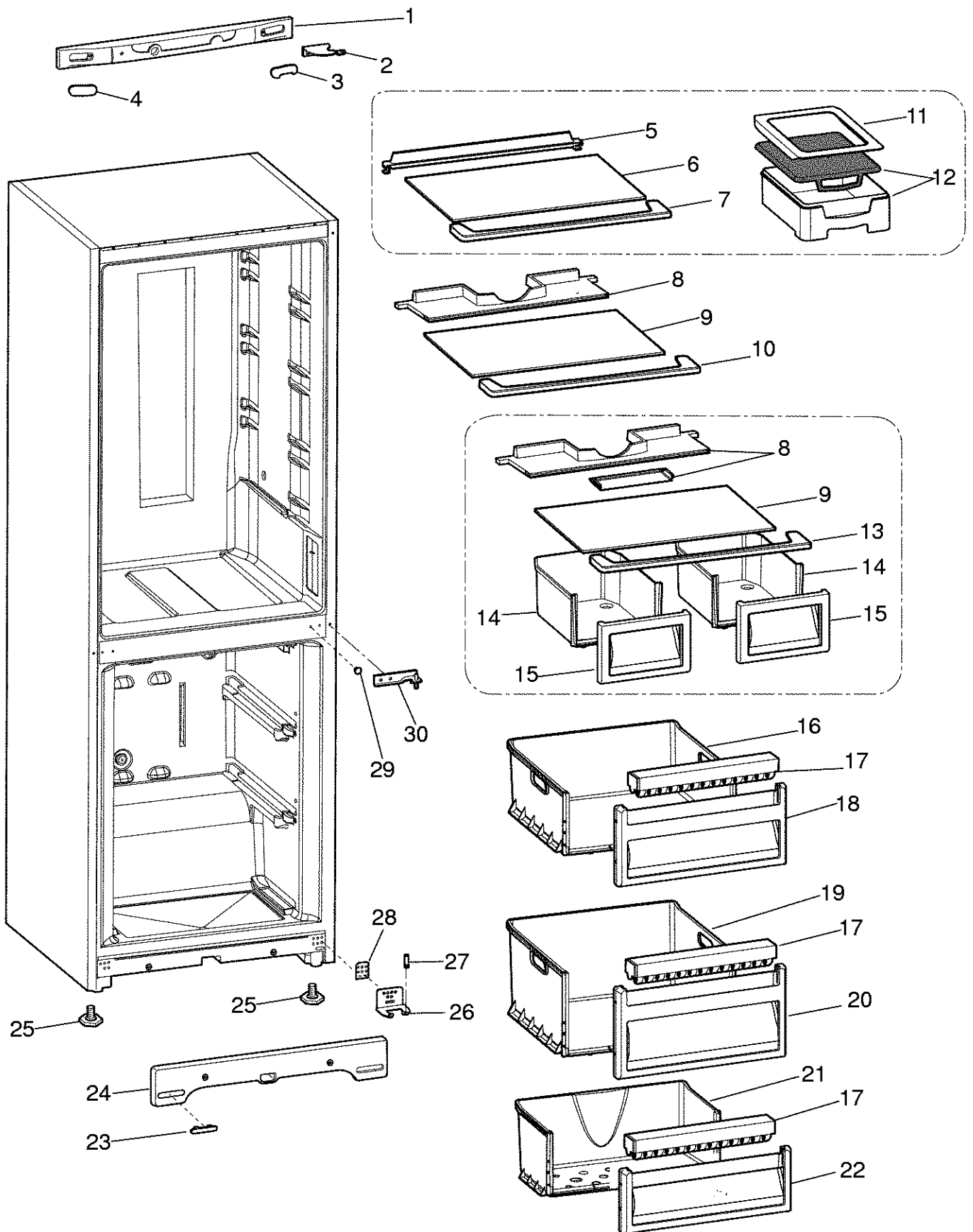
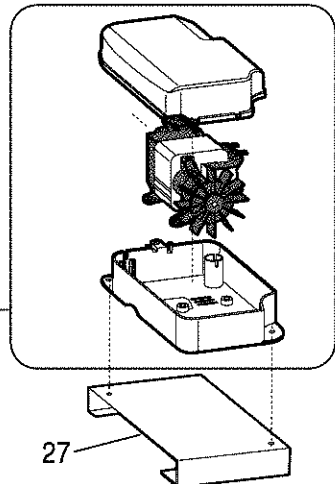
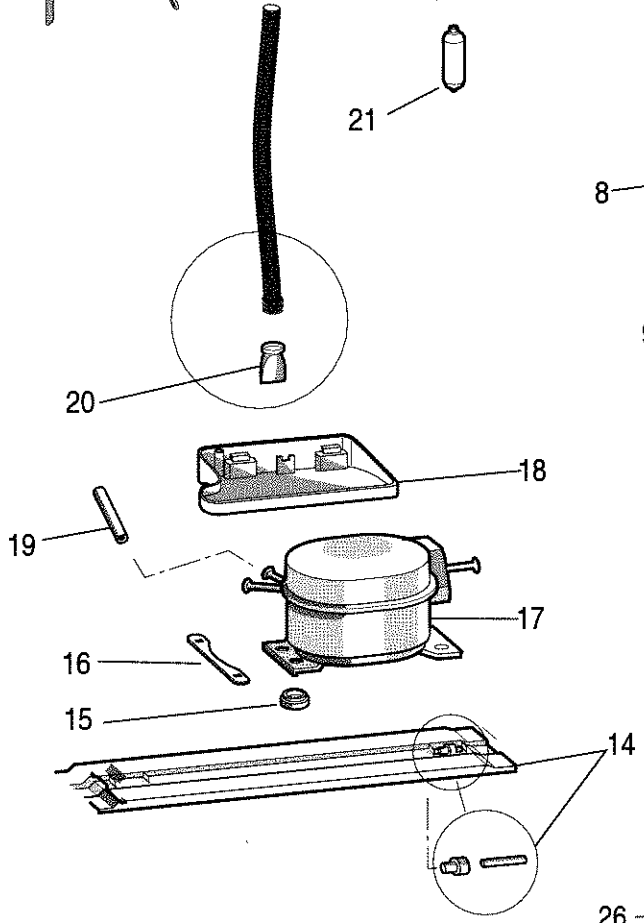
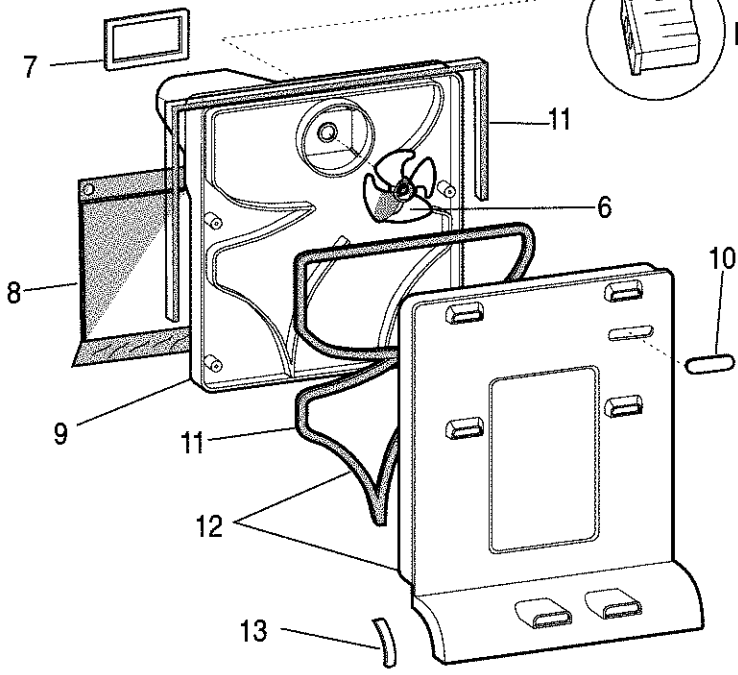
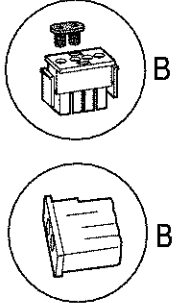
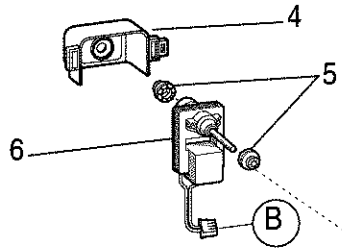
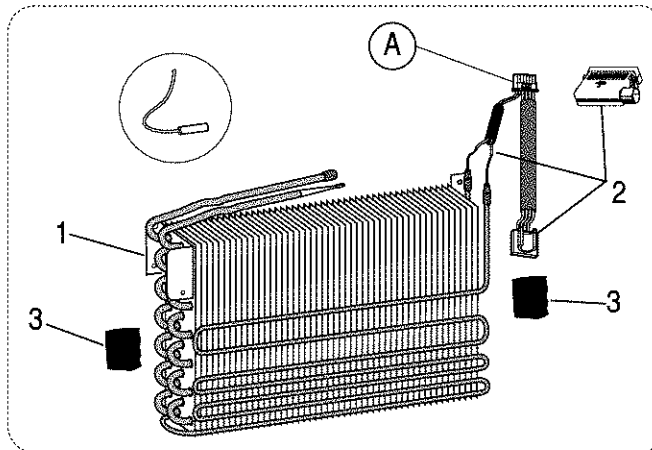
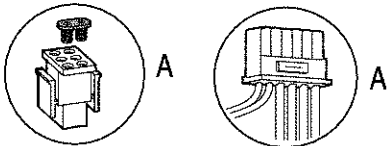
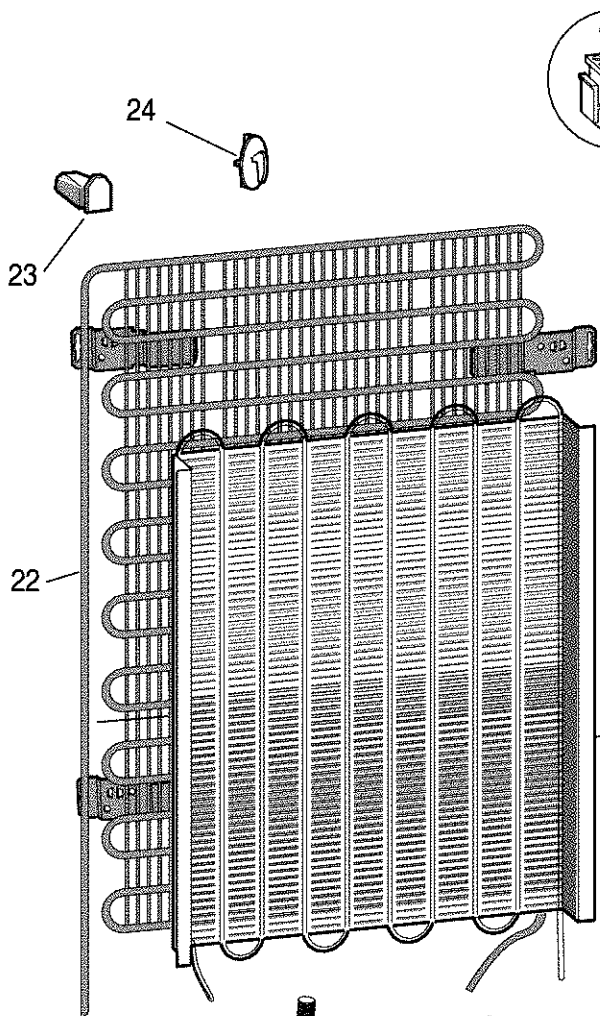


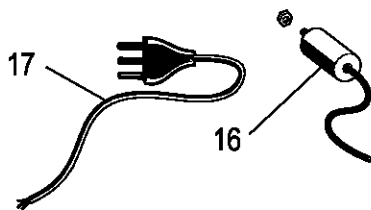
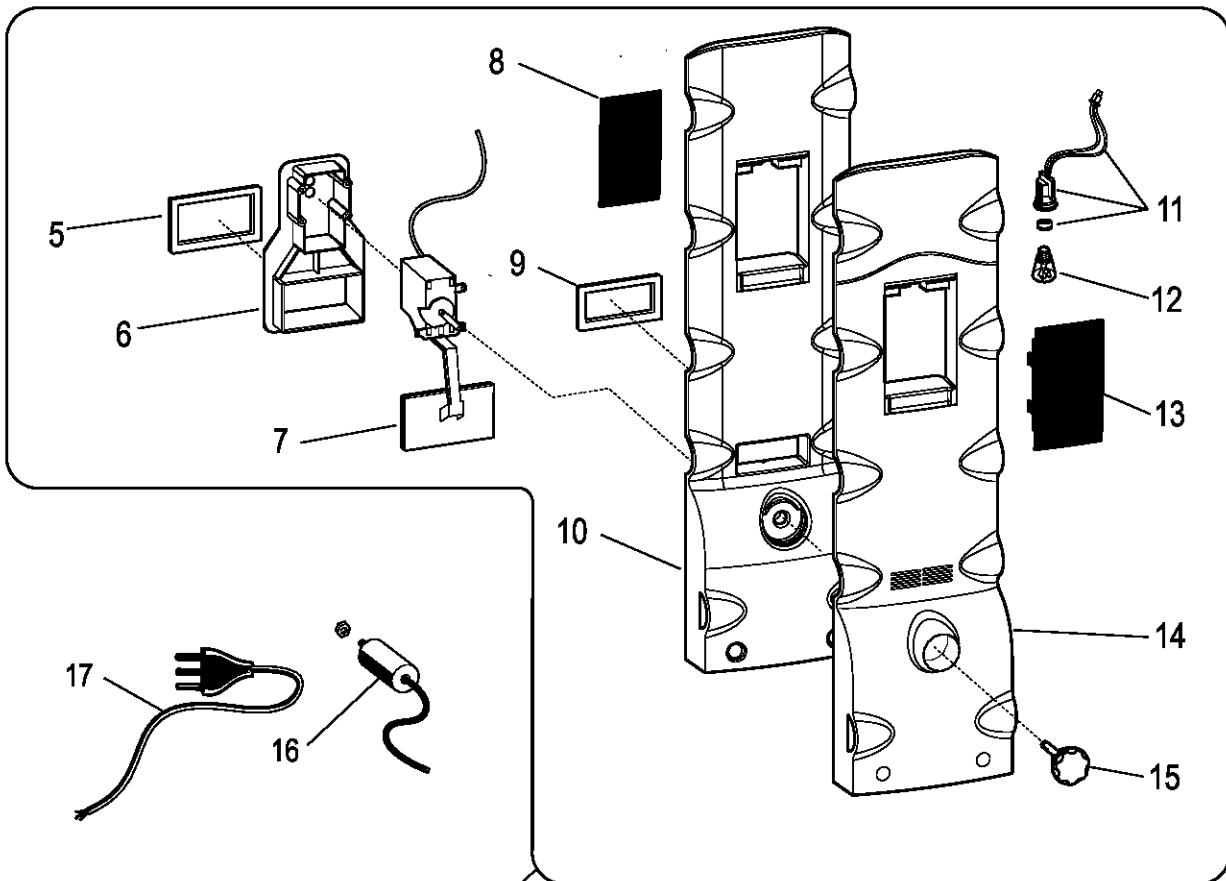
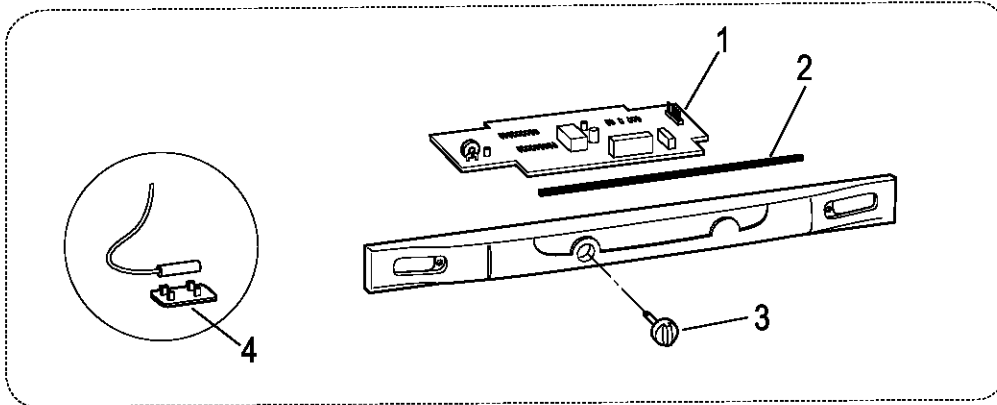
Pos.	Référence	Désignation
001	C00119407	BOUCHON POLARWH (H.6,4 D.12/14)
002	C00075565	AXE DE CHARNIERE M8X3 (18+2,5)
003	C00119048	SUPPORT CHARNIERE PORTE (M6)
004	C00021257	DOUILLE CHARNIERE SUPERIEURE BLA
005	C00119032	PORTILLON COMPART. OEUFs ARISTON
006	C00119027	BALCONET OEUF LXH 498X82X111 (CR
007	C00119036	BAC A OEUFs (6) (152X95X20) CRIS
008	C00119029	BALCONNET CENTRAL 500X44X111(CRI
009	C00119544	PORTE CANETTES PW/VERT (361X83)
010	C00119620	BOITE A BEURRE (152X50X93) KIT
011	C00114685	BORDURE ARRET BALCONET BOUTEILLE
012	C00119031	BALCONNET BOUTEILLES 500X104(CRI
013	C00115404	DOUILLE G.CHE FERMETURE PORTE PO
013	C00115405	DOUILLE D.TE FERMETURE PORTE POL
014	C00142278	PORTE FREEZER ARISTON POLARW 592
015	C00114661	JOINT POLAR WHITE PORTE (552X713
016	C00114784	BOUCHON POLARWH (DOUILLE H.14 D
017	C00022161	DOUILLE BLANCHE 4X15 MM
018	C00142280	PORTE REFRIG. ARIS.PW 592X1015 (
019	C00114662	JOINT POLAR WHITE PORTE (552X925
020	C00119055	LOGO ARISTON
021	C00119004	BOUCHON PW TABLAU DE BORD-PORTE
022	C00075612	INTERRUPTEUR MAGNETIQ. ARRET POR



Pos.	Référence	Désignation
000	C00141668	LIVRET INSTRUCTIONS MBM1811F(IT-
001	C00119618	TABLEAU DE BORD PW (MECANICIE.NF
002	C00119006	CHARNIERE SUP.(D.9) CROMEE DROIT
003	C00119001	BOUCHON POLAR-WHITE 75X21 TABLAU
004	C00119003	BOUCHON POLAR-WHITE 75X21 TABLAU
005	C00119041	PROFIL POLARW POSTERIEUR VERRE (
006	C00143029	CLAYETTE VERRE-NF (472X321X4) RO
007	C00119040	PROFIL POLARW ANTERIEUR VERRE (5
008	C00118858	PROFIL PW POSTERIEUR VERRE NOFRO
008	C00118863	PROFIL FERMETURE AIR-NF (L.214X7
009	C00143033	CLAYETTE VERRE-NF 478X261X4 ROHS
010	C00119044	PROFIL COUVRE BAC A LEGUMES PW 5
013	C00119043	PROFIL COUVRE BAC A LEGUMES PW 5
014	C00114719	BAC LEGUMES BLANC LXHXP 240X146X
015	C00119033	FACADE TRANSP.BAC LEGUMES 240X15
016	C00118563	TIROIR SUPERIEURE POLARW (LXP 43
017	C00119025	CONTAINER POUR GLACE(LXH 398X64)
017	C00194906	CONTAINER POUR GLACE(LXH 398X64)
018	C00119021	FROMTAL TIROIR SUP. 429X197(CRIS
019	C00118564	TIROIRINTERMEDIAIRE POLARWH LXP
020	C00119018	FROMTAL TIROIR LXH 429X240 (CRI
021	C00114730	TIROIR INFERIEUR POLARWH LXP 433
022	C00119015	FROMTAL TIROIR LXH 429X197 (CRI
023	C00119409	BOUCHON BASE POLAR WHITE
024	C00119013	PLINTHE POLARWH AVEC DRAIN 594X7
025	C00053419	PIED REGLABLE 17,7X37,5
026	C00119005	CHARNIERE INFERIEURE (M6) DROITE
027	C00017658	PIVOT CHARNIERE M6X13,5
027	C00259768	PIVOT CHARNIERE M6X21
028	C00075566	PATIN CHARNIERE INFERIEURE 30X40
029	C00114785	BOUCHON (DIAM. 4X8MM) POLARWHITE
030	C00144850	CHARNIERE CENTRALE ZAMA



Pos.	Référence	Désignation
001	C00118804	KIT EVAPORATEUR-FZ NF-26 TUBE(ME
001	C00195871	KIT EVAPORATEUR-FZ NF-26 TUBE(ME
001	C00258720	KIT EVAPORATEUR-FZ NF-26 TUBE(EL
002	C00118598	KIT RESISTANCE THERMOFUSIBLE 125
002	C00195879	KIT RESISTANCE THERMOFUSIBLE 125
002	C00195880	KIT RESISTANCE THERMOFUSIBLE 125
002	C00266867	KIT RESISTANCE THERMOFUSIBLE 125
003	C00094463	JOINT EVAPORATEUR (HXLXEPASSEUR
003	C00118586	JOINT EVAPORATEUR (HXL) 41X50X42
003	C00195965	JOINT EVAPORATEUR (HXL) 41X60X42
004	C00118566	SUPPORT MOTEUR VENTILATION (NO
005	C00118565	AMORTISSEUR MOTEUR DE VENTILATIO
006	C00118567	MOTEUR VENTILATION F6410 220V 3,
006	C00266109	MOTEUR VENTILATION F6410 220V 3,
006	C00266953	MOTEUR VENTILATION ESF2 220V 2,4
007	C00118844	JOINT DE ETANCHEITE NF/ELECTRONI
008	C00118614	PANNELLO ALUMINIUM COMBY NF
009	C00118615	KIT CONVOYEUR AIR FREEZER COMBY
009	C00196904	CONVOYEUR AIR FREEZER COMBY NF-6
009	C00278133	CONVOYEUR AIR FREEZER COMBY NF-6
010	C00114601	BOUCHON PW 74X20 T/BORD SANS TRO
011	C00118585	JOINT DE ETANCHEITE L=500X12
011	C00141950	JOINT DE ETANCHEITE L=1300x12x5
012	C00118606	KIT PAROI ARRIERE FREEZER PW(NF)
012	C00196892	PAROI ARRIERE FREEZER PW (H=530x
012	C00278132	PAROI ARRIERE FREEZER PW (H=530x
014	C00114701	TRAVERSE COMPRESSEUR
015	C00032453	AMORTISSEUR EN CAOUTCHOUC
016	C00008471	PLAQUETTE DE SERRAGE COMPRESSEUR
017	C00092270	COMPR. HYK95AA 220-240/50 1/5HP-
017	C00140531	COMPRESSEUR TWB1374MJS 220-240/5
017	C00259379	COMPR. EMY66CLP 220-240/50 1/4-1
018	C00114695	BAC DE DEGIVRAGE 209X175X58 (POL
018	C00118844	JOINT DE ETANCHEITE NF/ELECTRONI
018	C00279315	JOINT DE ETANCHEITE (37X87X3)
019	C00008727	TUYAU DE CHARGE SANS VALVE
019	C00043021	TUBE SERVICE AVEC VALVE (6 NFMSS
020	C00028100	MEMBRANE TUBE VIDANGE EAU CONDEN
021	C00144122	FILTRE GR.10(D.1,9/4,9)R134-600
023	C00194004	ENTRETOISE CONDENSEUR L=56MM
024	C00094418	ARRET CABLE ALIMENTATION
025	C00141098	CONDENSEUR IMAT 586X1000x44 (R6
099	C00140585	RESISTANCE DEGIVRAGE 220V 28,3W
099	C00141294	CABLAGE COMBY NF (AMP) X SAT



18

Pos.	Référence	Désignation
001	C00143103	CARTE THERM.ELECTR(FZ NFMEC)ROHS
001	C00258695	CARTE THERMOSTAT ELECTR.(FZ NF-M
002	C00094202	EPOGNE ADHESIF (350X8X8)
003	C00118850	BOUTON TRIMMER PW NF-MECANICIEN
004	C00075633	BRIDE SONDE
005	C00118576	JOINT DE ETANCHEITE DAMPER NF-ME
007	C00118571	THERMOSTAT DAMPER WMF9J-709-100
007	C00118582	THERMOSTAT DAMPER WMF9J-709-100
007	C00275656	THERMOSTAT DAMPER WMF9J-709-100
008	C00094669	ECRAN DE PROTECTION (80X100X0,1)
009	C00258970	JOINT DE ETANCHEITE (HxL 53x102)
011	C00094952	DOUILLE 250V E14 (VOSSLOH) KIT
011	C00118769	CABLEAGE-AMP LAMPE REFRIGERATEUR
012	C00060617	LAMPE 220-240V/10W (E14)
013	C00118768	PLAFONNIER-LAMPE (145X85)
014	C00118766	COMPLET MULTIFLOW COMBY-NF MECA
015	C00140798	BOUTON DAMPER-CBNF
016	C00142421	CONDENSATEUR DE DEMARRAGE 4 MF
016	C00144816	CONDENSATEUR DE DEMARRAGE 4 MF (
017	C00008598	CABLE ALIMEN.3X0,75 (F-NL-A-D-DK
018	C00279556	COMPL.MULTIFLOW+DAMP COMBY-NF ME
099	C00118778	SONDE CONNECTEUR 3-VIE (AMP) NF-
099	C00118886	CABLAGE BASE (BAN12-BAN13)
099	C00119493	JOINT DE ETANCHEITE H=10x2 (L=75
099	C00119496	JOINT DE ETANCHEITE H=55x2 (L=12
099	C00143953	KIT DEGIVRAGE REFOULEMENT FREEZE
099	C00271924	KIT DEGIVRAGE REFOULEMENT FREEZE