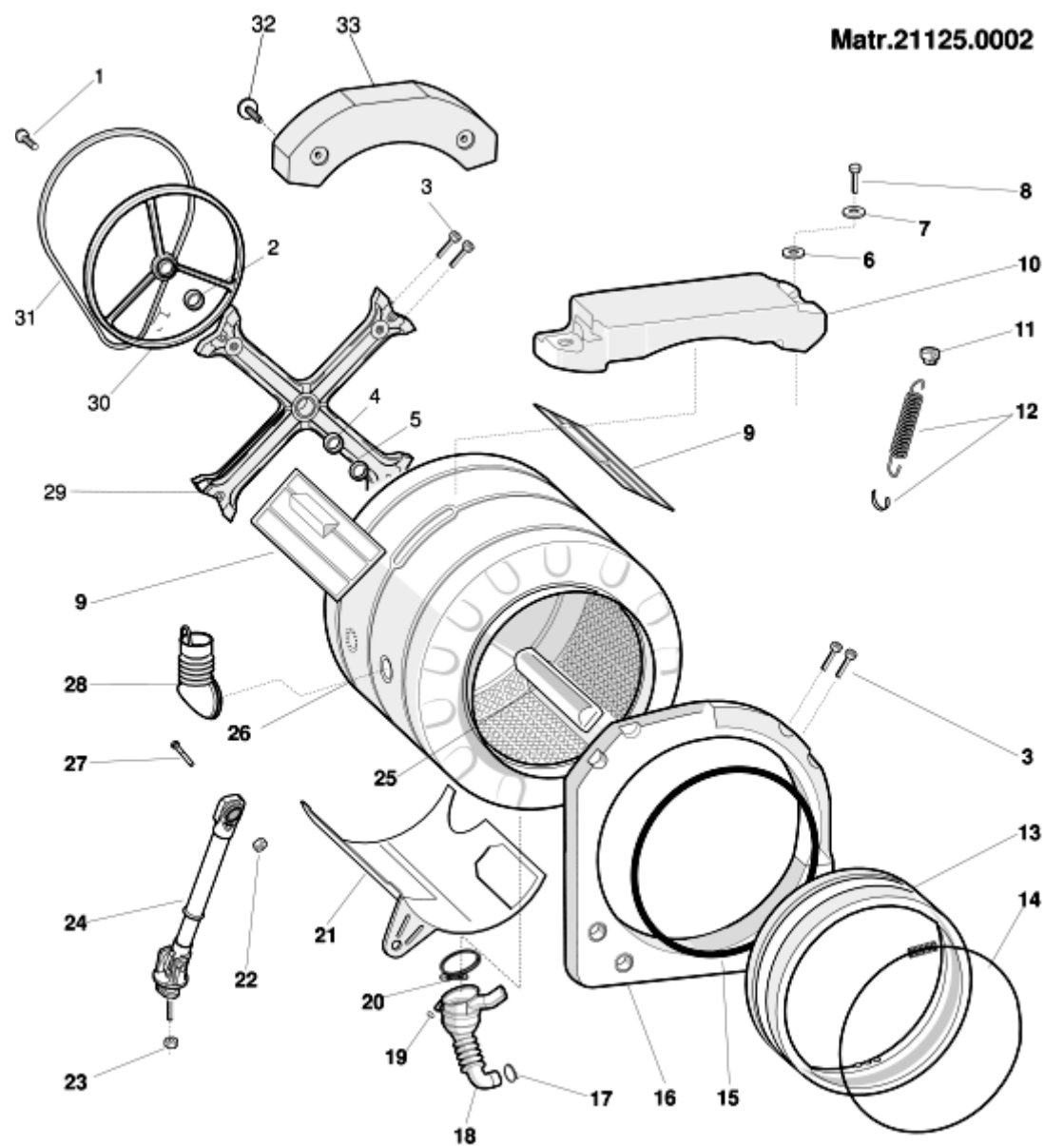


> accueil > chercher > résultat > mod. AVL135FR > 1140230



Matr.21125.0002

1140230

vues éclatées	(ref.)	pièce détachée	remplacement	description	De S/N	À S/N	cod.ind.	nouveautés	bulletins
1140230	001	C00064786	C00143260 x 1	VIS M8X23 TORX TEFL					
1140230	002	C00013563		PALIER 25 X52 X 15 6205-2Z					
1140230	003	C00064785	C00193879 x 1	VIS M8X22 TB6LT					
1140230	004	C00002591		PALIER 20X47X14					
1140230	004	C00044765		PALIER 6206- 2Z				n1040371 n1040329	
1140230	005	C00082696		BAGUE D ETANCHEITE				n1040371 n1040329	

1140230	005	C00096186	V4-406 BAGUE D ETANCHEITE CV4 30 X 52/65 X 7/10		n1040300 n1040326
1140230	008	C00088408	VIS + RONDELLE		n1040329
1140230	009	C00064517	TRAVERSE DE RENFORT GAUCHE DROITE LB		
1140230	010	C00064548	CONTREPOIDS SUPERIEUR 11 KG		n1040329
1140230	011	C00064515	FRETTE RESSORT		
1140230	012	C00064502	RESSORT CUVE		
1140230	012	C00077182	RESSORT CUVE		n1040329
1140230	013	C00092154	JOINT HUBLOT D=30-30 CM	40613...	
1140230	013	C00110326	JOINT HUBLOT D=30-30 CM	40614...	
1140230	014	C00092156	BAGUE DE TENSION		
1140230	015	C00092155	BAGUE DE TENSION		
1140230	016	C00092178	CONTREPOIDS		
1140230	017	C00092411	C00094908 x 1 SERRE-TUBE		
1140230	018	C00092174	DURITE DE VIDANGE OKO		
1140230	019	C00092412	SERRE-TUBE		
1140230	020	C00091148	C00094908 x 1 BANDE D=79 MM		
1140230	021	C00093848	BERCEAU CUVE- ENSEMBLE		
1140230	022	C00030443	C00144571 x 1 ECROU M8 C00144571 x 1		
1140230	023	C00065152	ECROU ROMOB M6X22X1,5		
1140230	024	C00093884	AMORTISSEUR 80 N 89.15 MM		
1140230	025	C00064789	C00268109 x 1 AUBE EXTRACTIBLE PANIER 46 L		TB001178 (FL298)
1140230	026	C00094279	C00094275 x 1 CUVE- C00094278 x 1 ENSEMBLE 46 L. EVO II		n1040300
1140230	026	C00094283	C00094275 x 1 CUVE- C00094282 x 1 ENSEMBLE 46 L. EVO II		n1040300 n1040371 n1040329
1140230	027	C00093750	VIS ZINGUEE M8X40		
1140230	028	C00092161	DURITE DETERSIF		
1140230	029	C00074648	CROISILLON AVEC BAGUE ETANCHEITE		n1040329
1140230	029	C00096077	CROISILLON AVEC BAGUE ETANCHEITE		n1040300
1140230	030	C00074211	POULIE CONDUITE D=210 MM H=20 MM		
1140230	031	C00074218	COURROIE L=1046 - 1051 MM H8	80328540000 80328540900	n1040365
1140230	031	C00118629	COURROIE L=1046 - 1051 MM H8	80328540900	

1140230 099 C00001109

LOCTITE 270
10 GR.

© 2004 Indesit Company